

3. Wiring Connection Diagram

3.1. 1PH, 2 Wire, Configuration

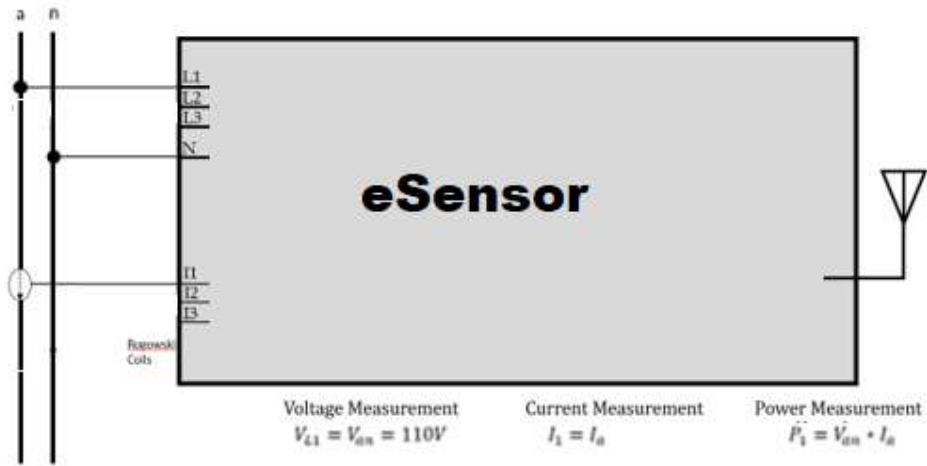


Fig. 1

3.2. 2PH, 3 Wire, Configuration

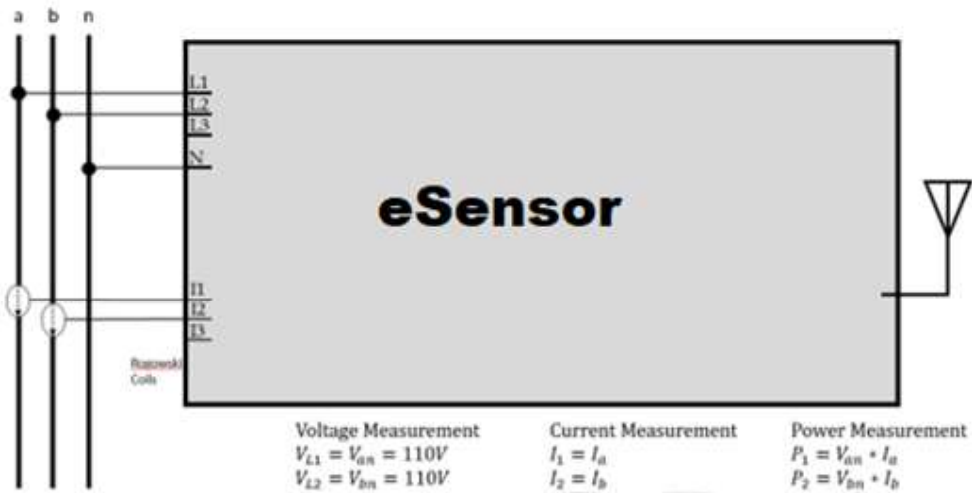


Fig. 2

3.3. 3PH, 4Wire, Configuration

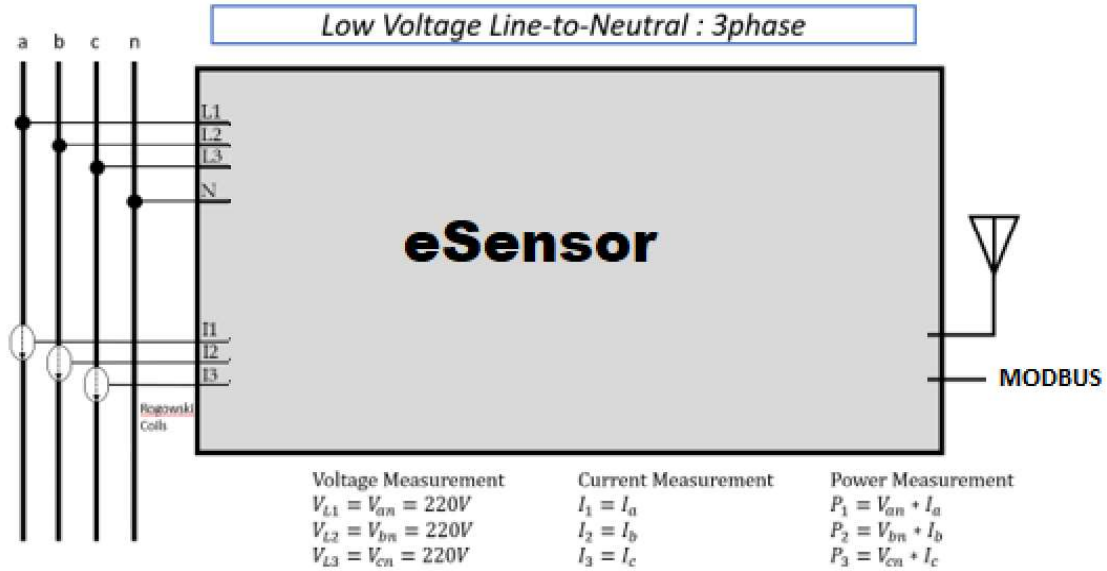


Fig. 3

4. Transformer Wiring Connection

4.1. 1PH, 2 Wire, Configuration

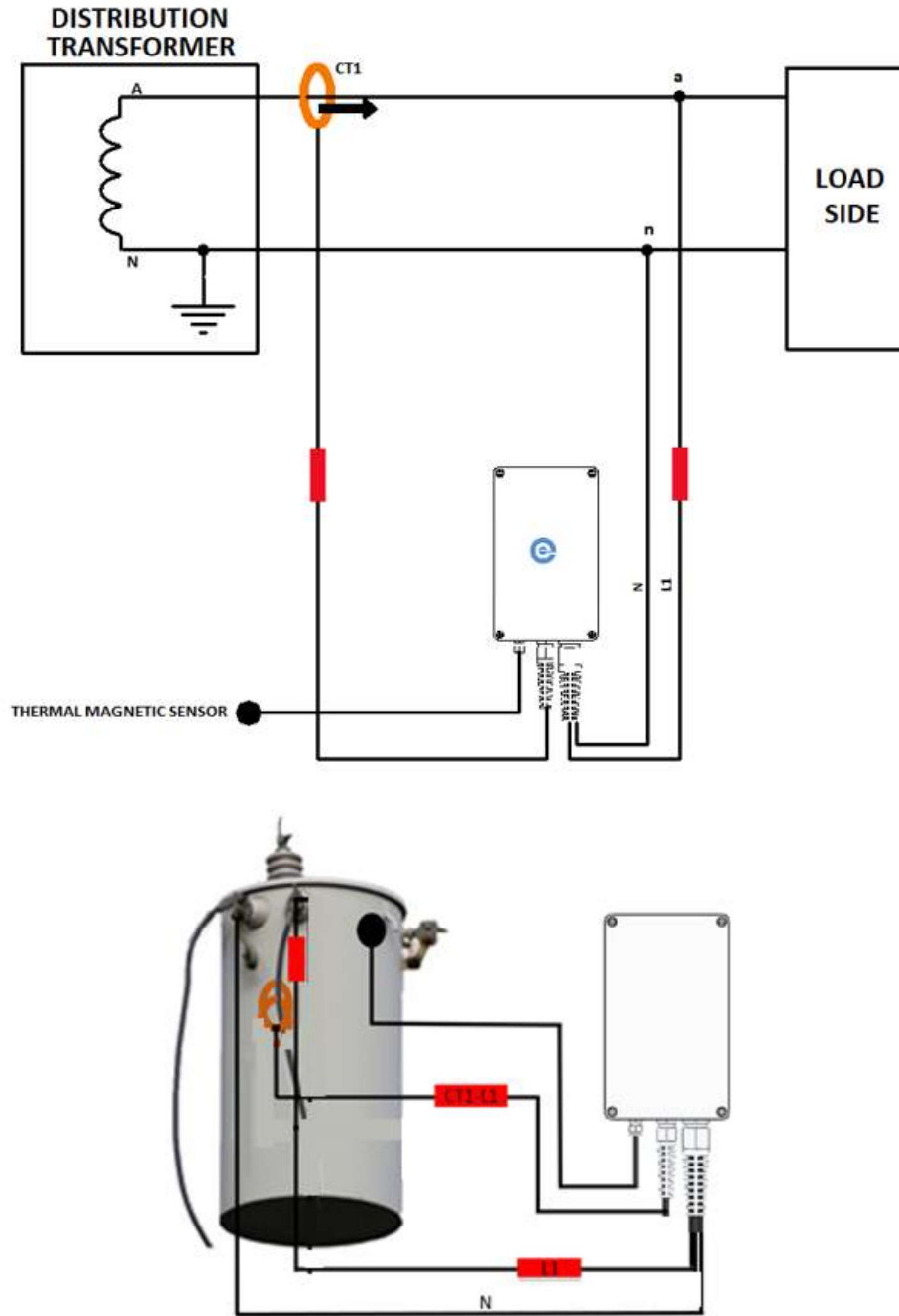
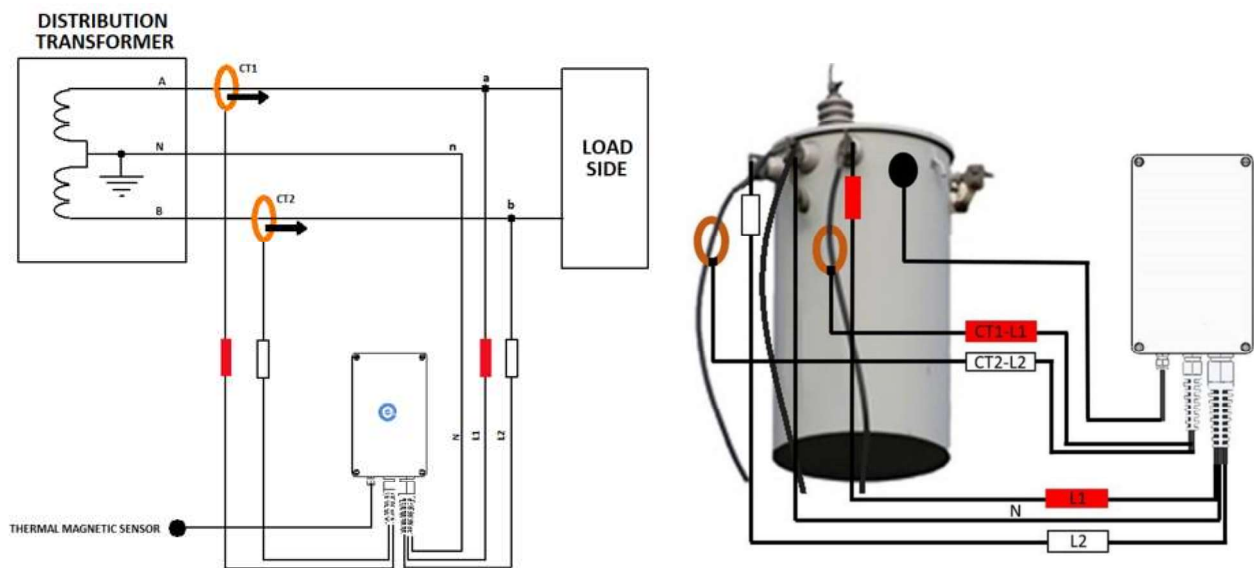
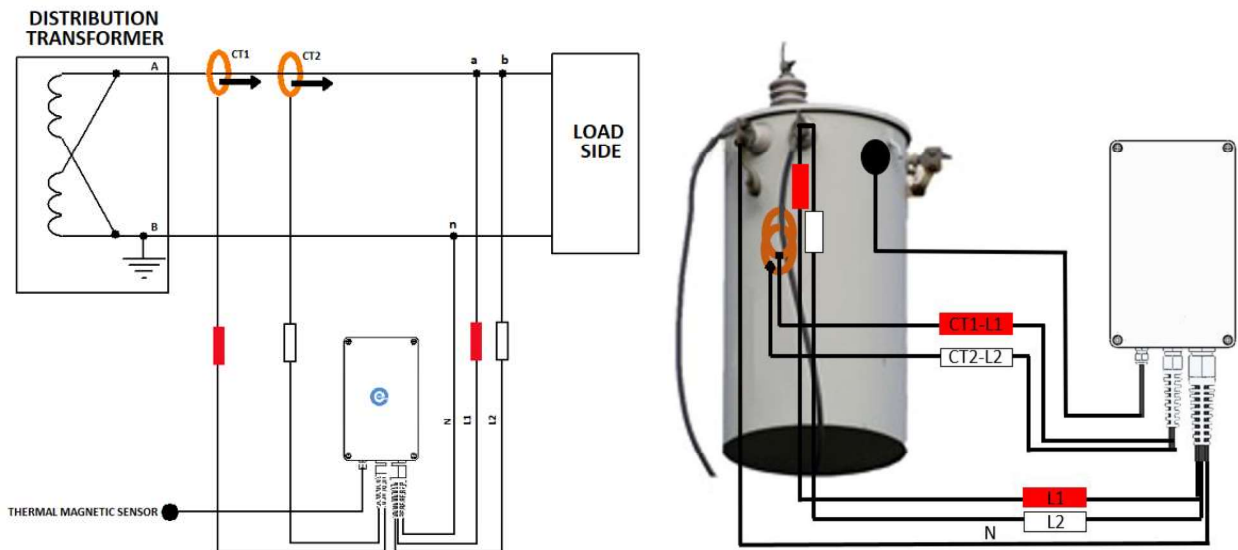


Fig. 4

4.2. 2PH, 3 Wire, Configuration



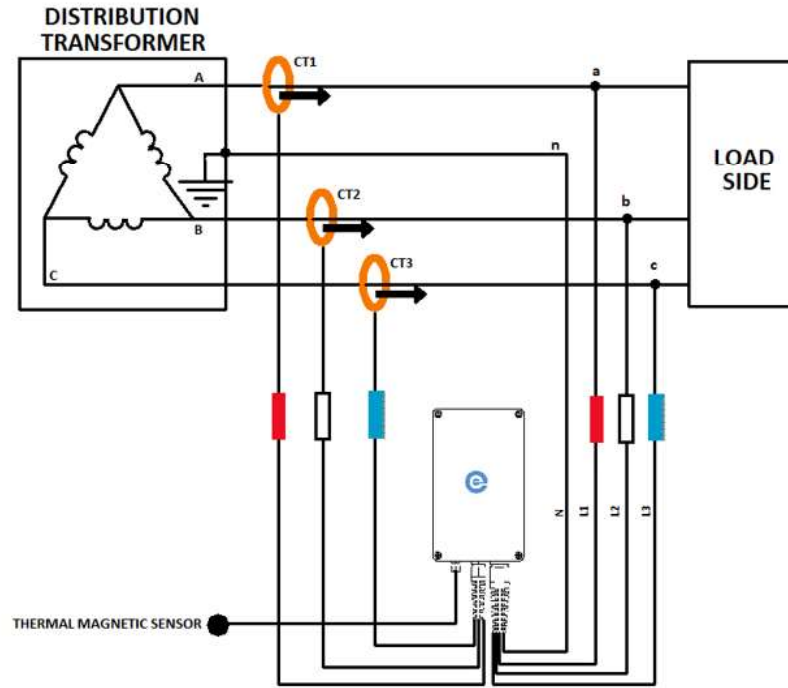
a. 2 Currents, Line to Neutral (Center Tapped)



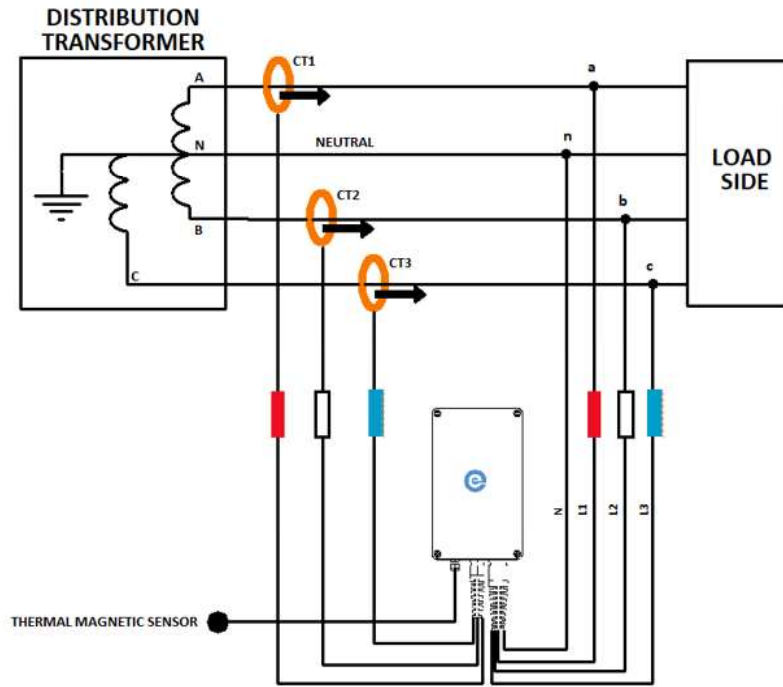
b. 2 Currents, Line to Line

Fig. 5

4.3. 3PH, 4Wire, Configuration



a. 3 Currents, Delta



b. 3 Currents, Wye

Fig. 6